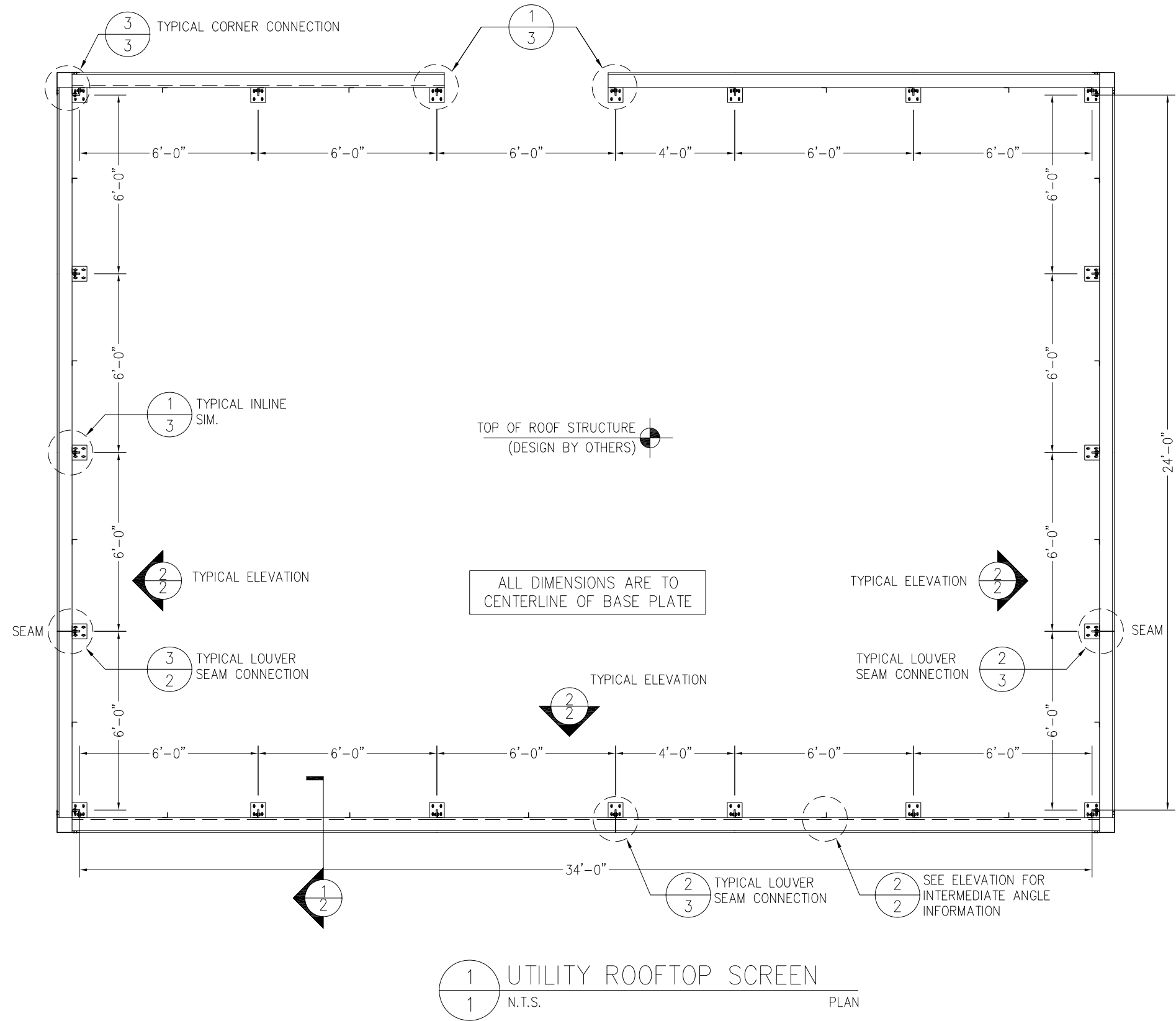


UTILITY ROOFTOP LOUVER SCREENS DETAILS



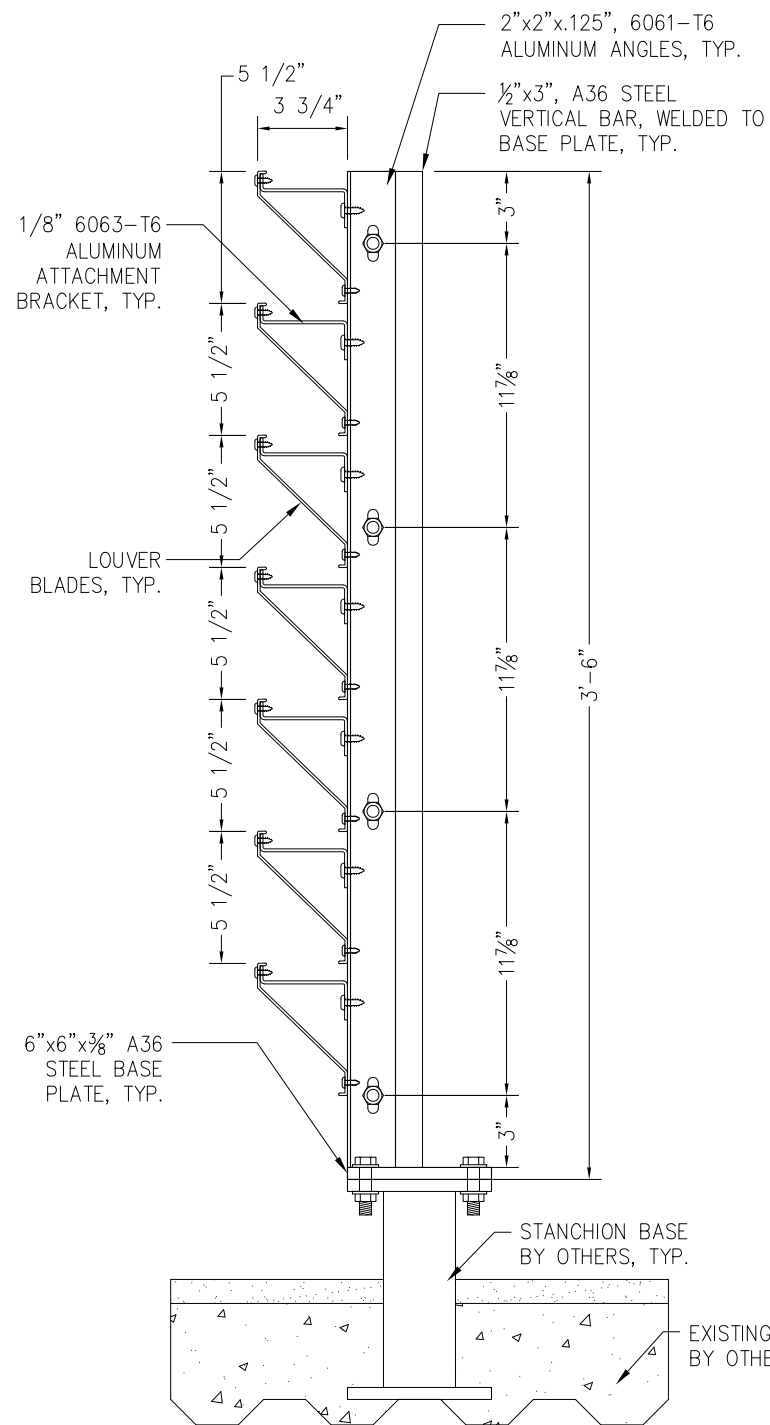
AMERICAN PRODUCTS, INC. (API)
12157 W. LINEBAUGH AVENUE #335
TAMPA, FL 33626
CONTACT: KERRI BEALS
PH (813)925-0144
WWW.AMERICANPROD.COM



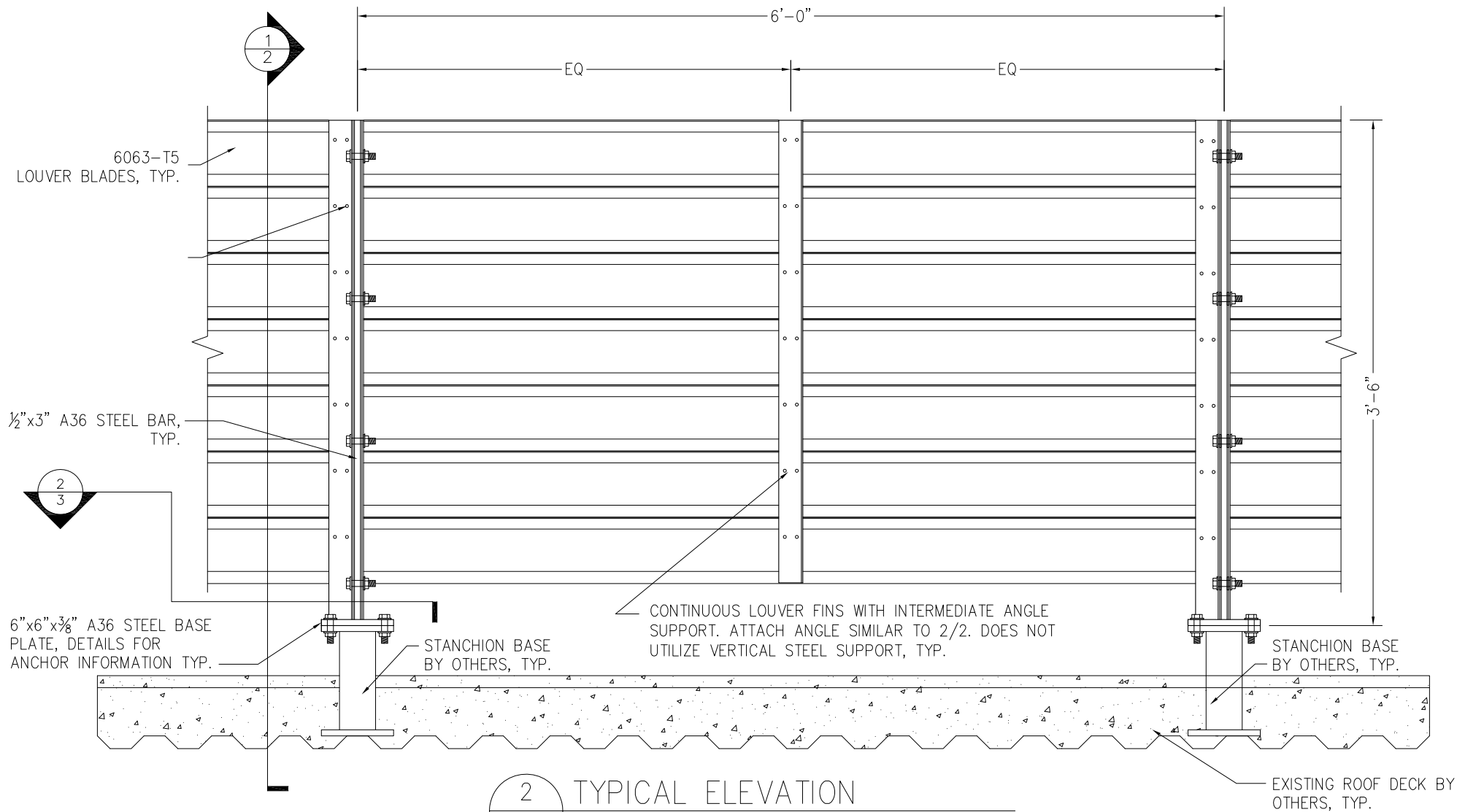
Customer: API IN-HOUSE	
Assembly: UTILITY ROOF SCREEN	
Drawn By: GB	Date: 11/05/2014
Revision:	Date:
Scale: N.T.S.	Sheet: 1 OF 5

API Recommends that this note appear with storefront elevations and section view details in your blueprints.

Storefront and related materials provided by American Products, Inc. (API). No substitutions without written consent from store owner/Architect. API (813)925-0144

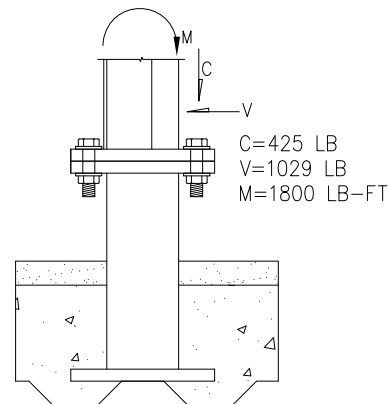


1 TYPICAL VERTICAL SECTION
2 N.T.S. SECTION

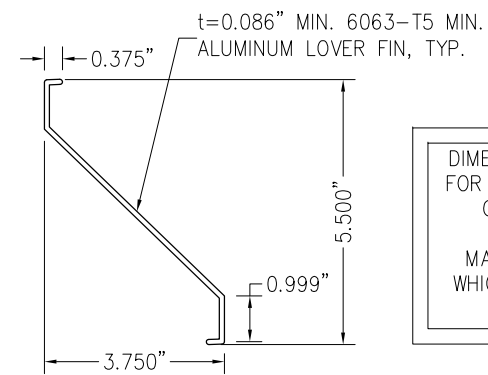


2 TYPICAL ELEVATION
2 N.T.S. ELEVATION

ENGINEER OF RECORD
TO VERIFY THAT HOST
STRUCTURE CAN
SUPPORT THE
FOLLOWING LOADS



3 SUPPORT REACTIONS
2 N.T.S. DETAIL



LOUVER FIN

DIMENSIONS SHOWN HEREIN ARE
FOR DIAGRAMMATICAL PURPOSES
ONLY. LOUVER FIN SHALL
CONFORM TO THE
MANUFACTURERS CUT SHEET
WHICH SHALL BE ATTACHED TO
THIS DOCUMENT

API Recommends that this note appear
with storefront elevations and section
view details in your blueprints.

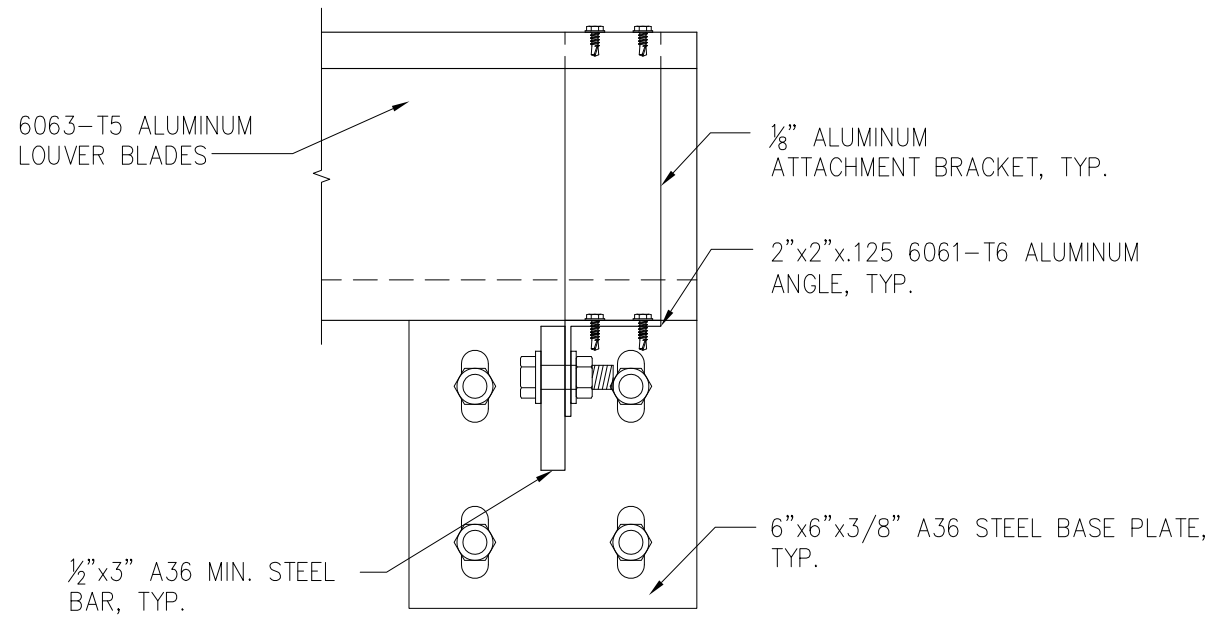
Storefront and related materials provided by
American Products, Inc. (API). No substitutions
without written consent from store owner/
Architect. API (813)925-0144

Customer: API IN-HOUSE
Assembly: UTILITY ROOF SCREEN
Drawn By: GB
Revision:
Scale: N.T.S.

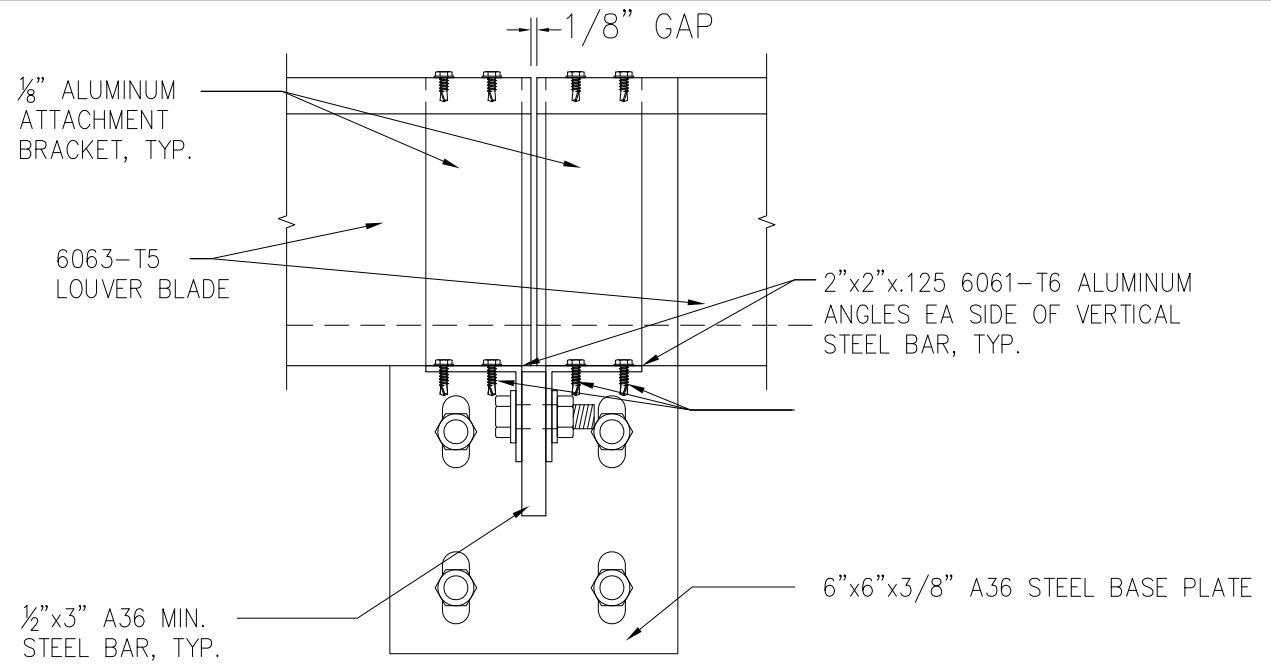
Date: 11/05/2014
Date:
Sheet: 2 OF 5



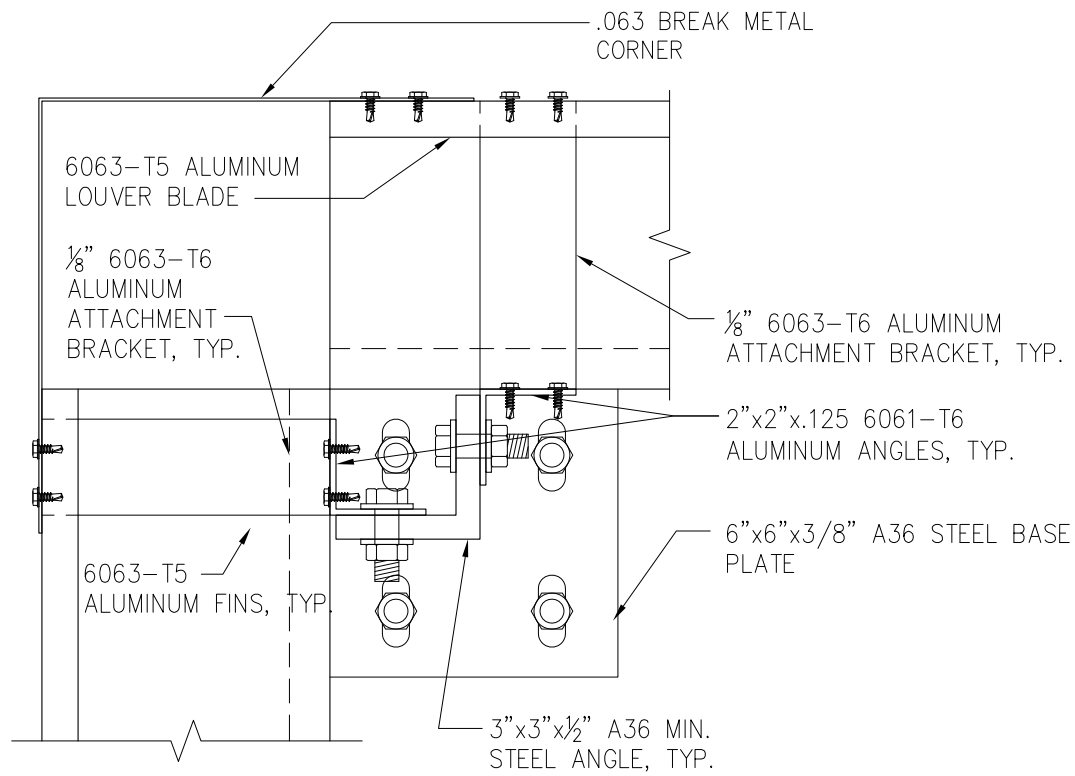
AMERICAN PRODUCTS, INC. (API)
12157 W. LINEBAUGH AVENUE #335
TAMPA, FL 33626
CONTACT: KERRI BEALS
PH (813)925-0144
WWW.AMERICANPROD.COM



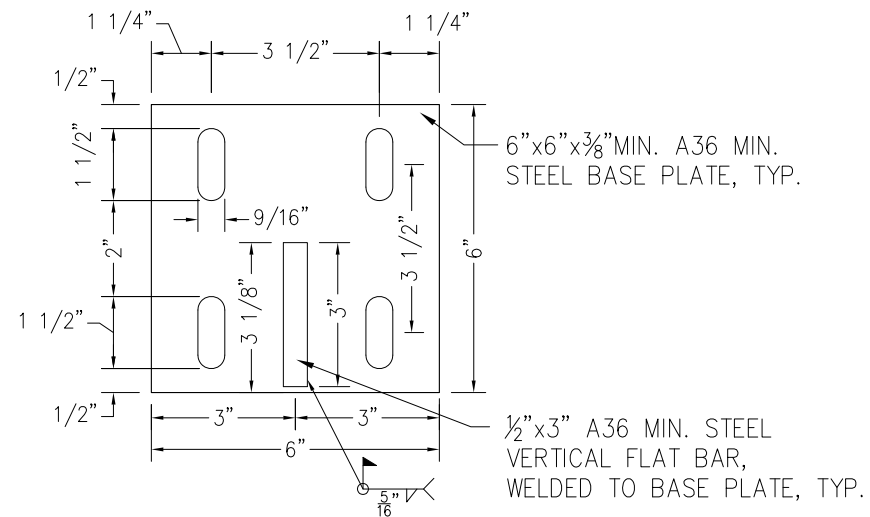
1 SCREEN END SUPPORT CONNECTION DETAIL
 3 N.T.S. HORIZONTAL SECTION



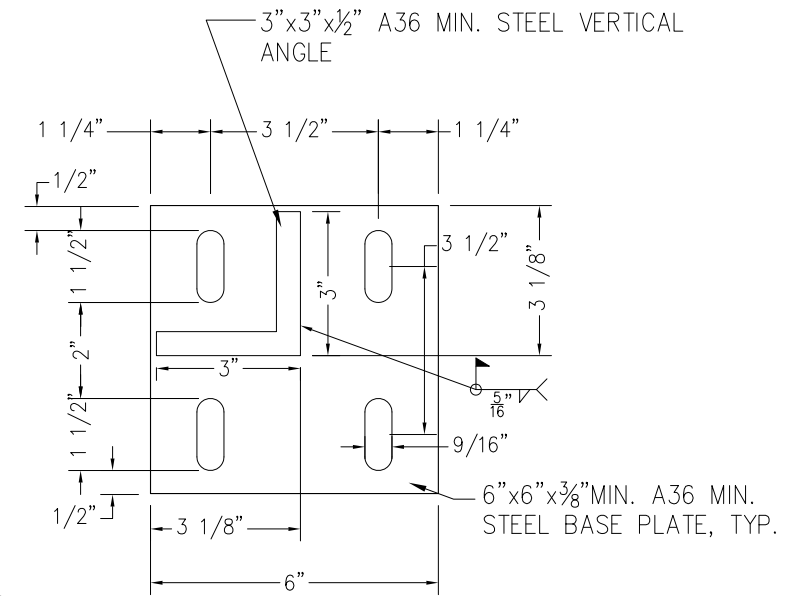
2 INTERMEDIATE CONNECTION DETAIL @ SEAM
 3 N.T.S. HORIZONTAL SECTION



3 CORNER SUPPORT CONNECTION DETAIL
 3 N.T.S. HORIZONTAL SECTION



4 INTERMEDIATE BASE PLATE
 3 N.T.S. DETAIL



5 CORNER BASE PLATE
 3 N.T.S. DETAIL

AMERICAN PRODUCTS, INC. (API)
 12157 W. LINEBAUGH AVENUE #335
 TAMPA, FL 33626
 CONTACT: KERRI BEALS
 PH (813)925-0144
 WWW.AMERICANPROD.COM



Customer: API IN-HOUSE

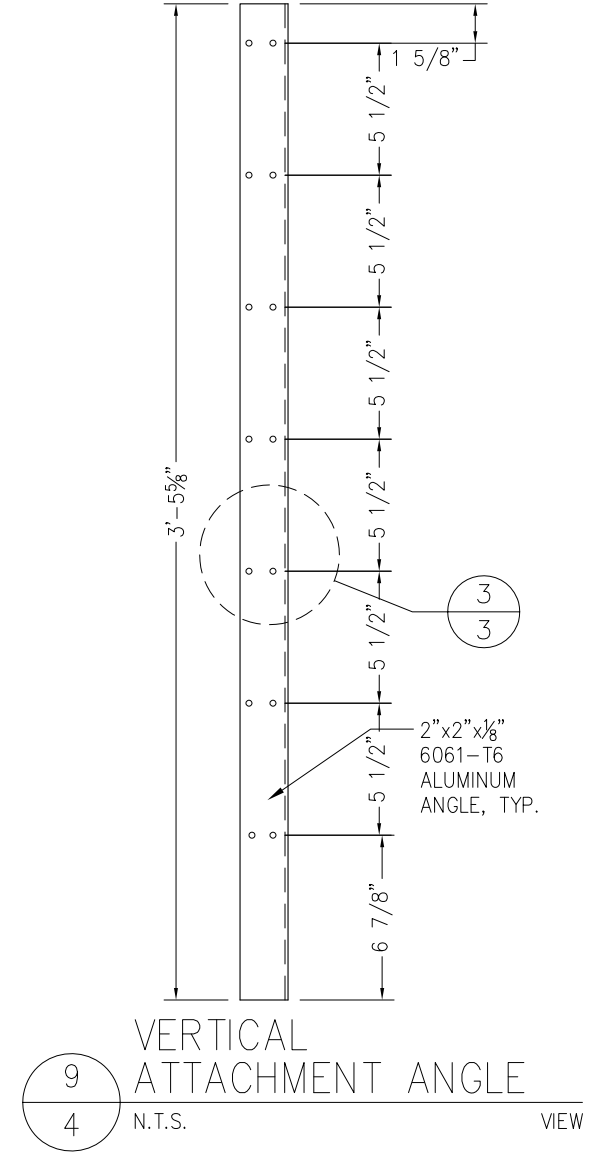
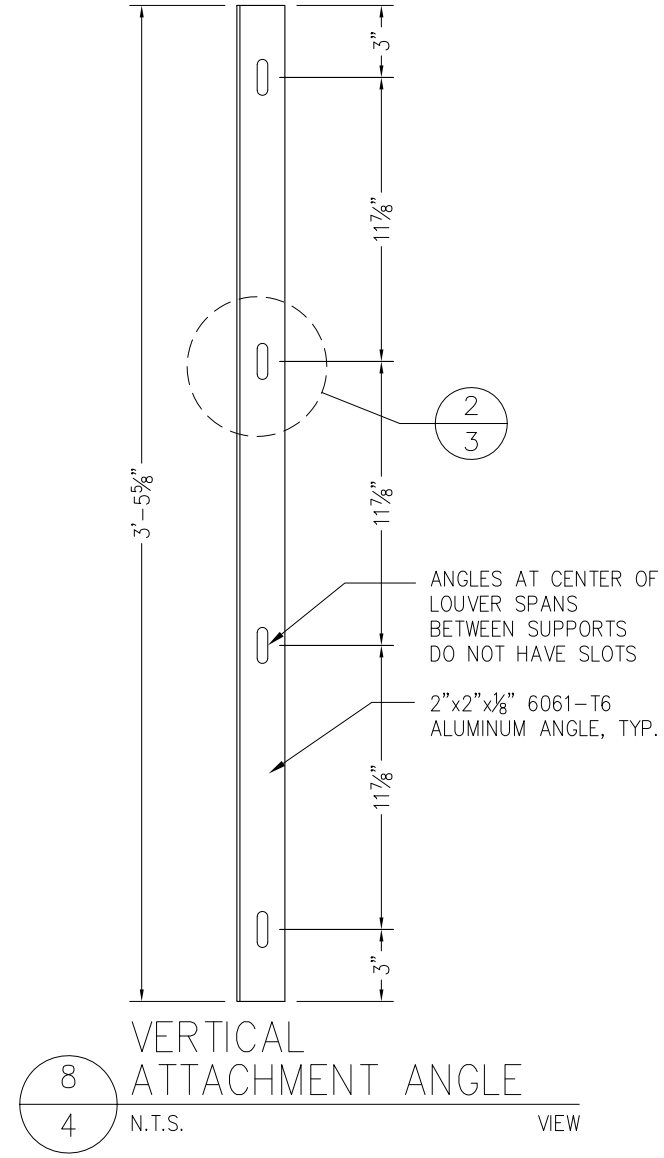
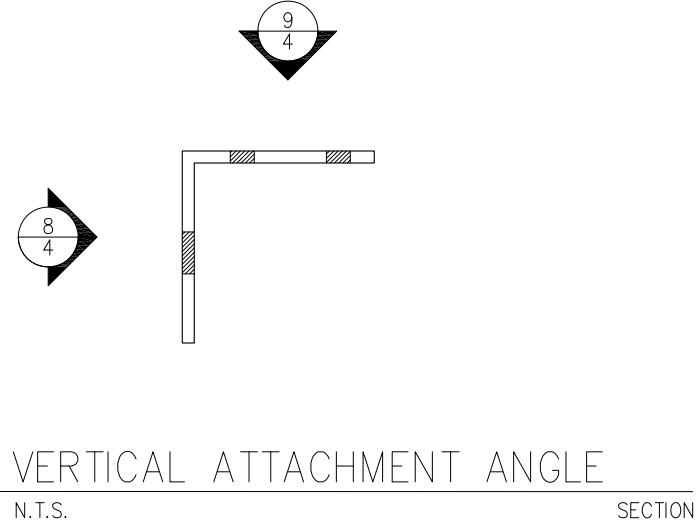
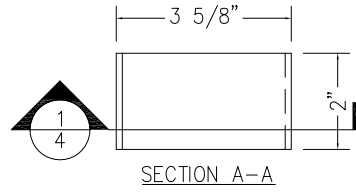
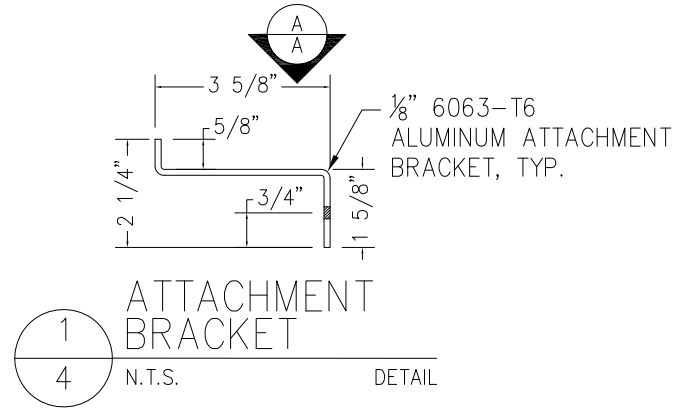
Assembly: UTILITY ROOF SCREEN

Drawn By: GB Date: 11/05/2014

Revision: Date:

Scale: N.T.S. Sheet: 3 OF 5

API Recommends that this note appear with storefront elevations and section view details in your blueprints.
 Storefront and related materials provided by American Products, Inc. (API). No substitutions without written consent from store owner/Architect. API (813)925-0144



API Recommends that this note appear with storefront elevations and section view details in your blueprints.

Storefront and related materials provided by American Products, Inc. (API). No substitutions without written consent from store owner/Architect. API (813)925-0144

Customer: API IN-HOUSE

Assembly: UTILITY ROOF SCREEN

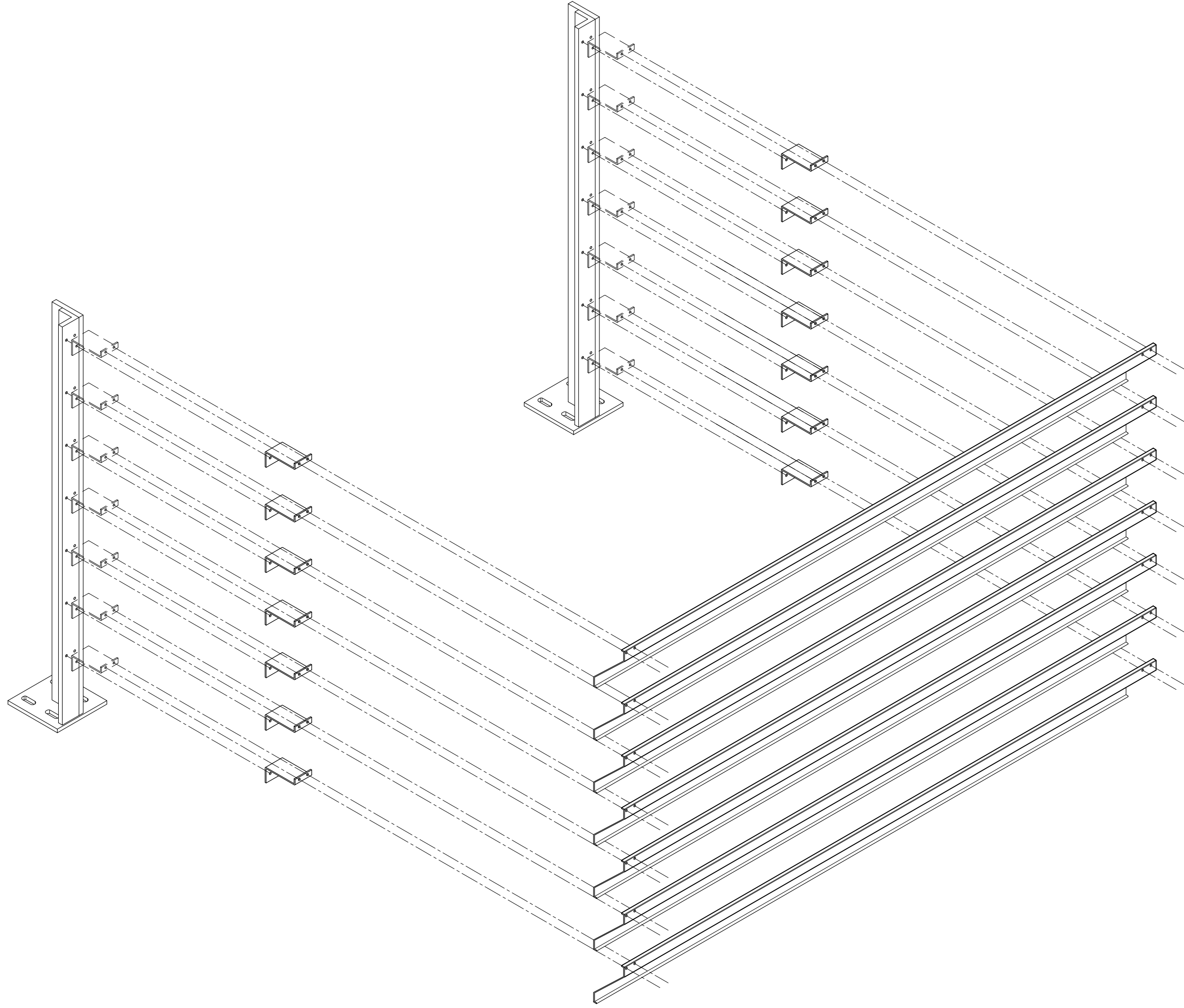
Drawn By: GB Date: 11/05/2014

Revision: Date:

Scale: N.T.S. Sheet: 4 OF 5



AMERICAN PRODUCTS, INC. (API)
12157 W. LINEBAUGH AVENUE #335
TAMPA, FL 33626
CONTACT: KERRI BEALS
PH (813)925-0144
WWW.AMERICANPROD.COM



API Recommends that this note appear with storefront elevations and section view details in your blueprints.

Storefront and related materials provided by American Products, Inc. (API). No substitutions without written consent from store owner/Architect. API (813)925-0144

Customer: API IN-HOUSE

Assembly: UTILITY ROOF SCREEN

Drawn By: GB

Revision:

Scale: N.T.S.

Date: 11/05/2014

Date:

Sheet: 5 OF 5



AMERICAN PRODUCTS, INC.

AMERICAN PRODUCTS, INC. (API)
 12157 W. LINEBAUGH AVENUE #335
 TAMPA, FL 33626
 CONTACT: KERRI BEALS
 PH (813)925-0144
 WWW.AMERICANPROD.COM